



Postmatic Equipment Manual

Model: Inline Vacuum Divert Base 48"

Part Number: 863000

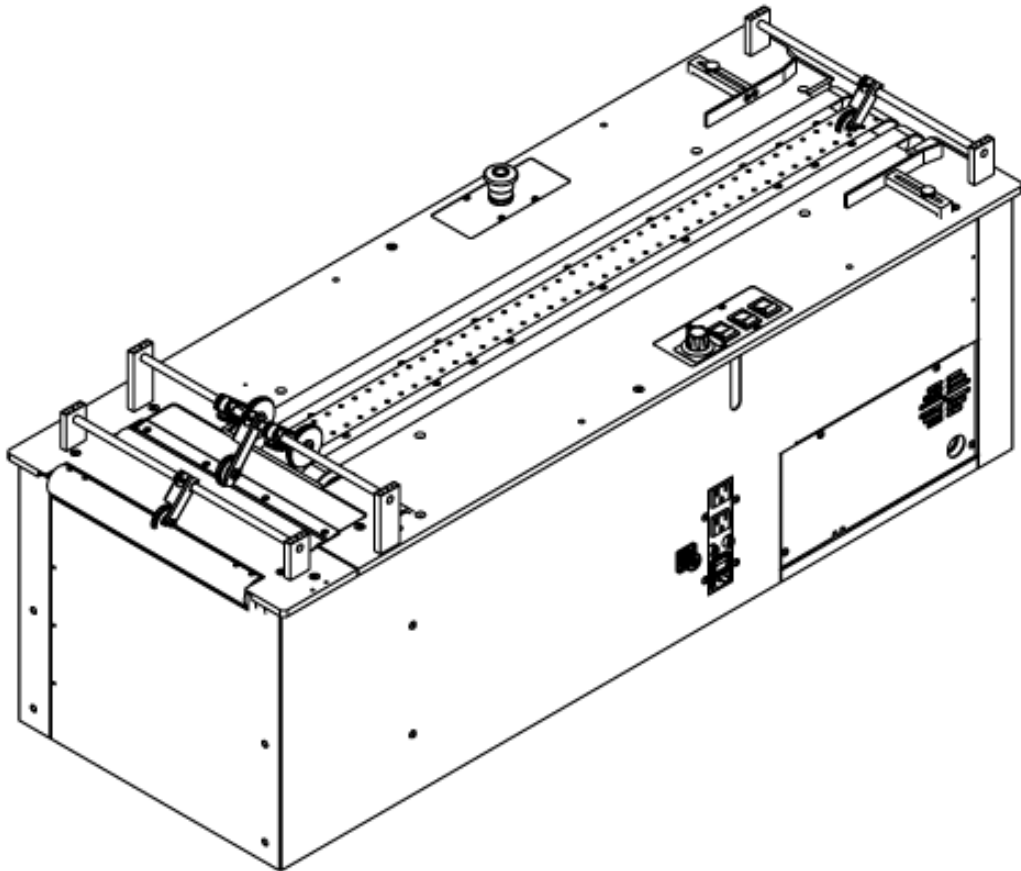
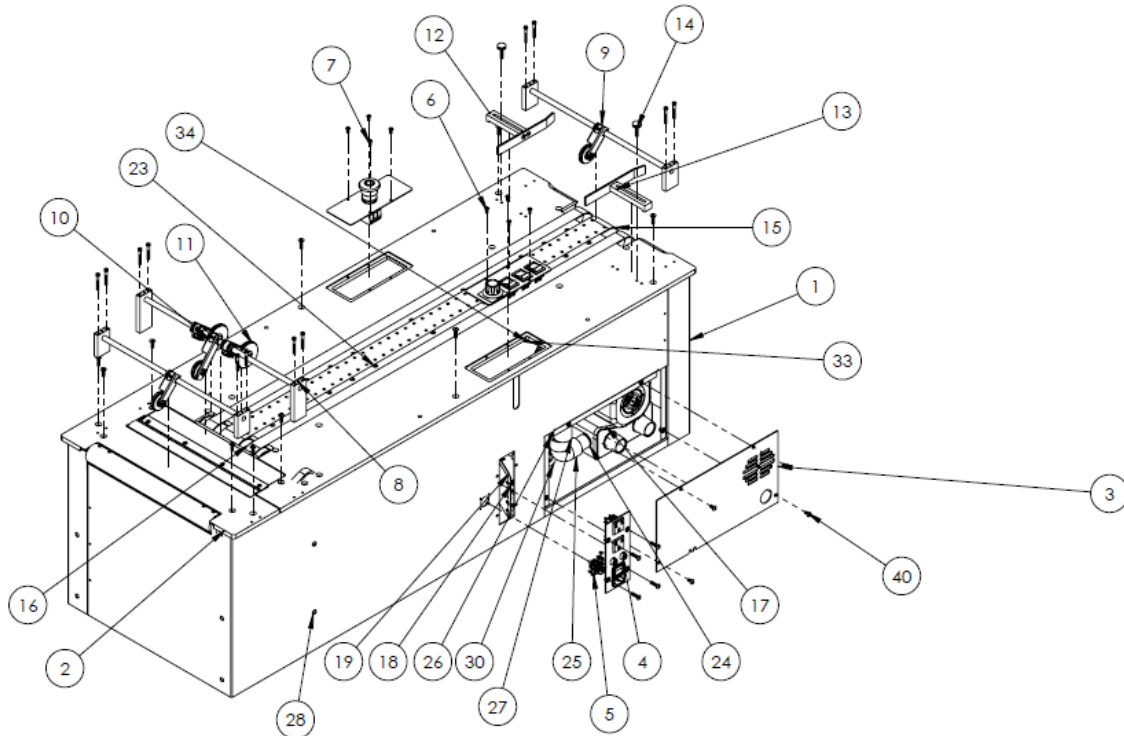


Table of Contents

PN 863000 – Inline Vacuum Divert Base 48” L2R	3
PN 300077 – Assy Wire Harness Male/Female.....	4
PN 300121 – T-Handle Kit – Base.....	5
PN 857111 – Divert Roller Assy.....	6
PN 857113 – Assy Shaft Bridge	7
PN 857121 – Assy RLR Hold Down Ext 1-1/2”	8
PN 863075 – Power Supply 24VDC 25W.....	9
PN 863111 – Top Assembly.....	10
PN 863167 – Assy Plate Switch IVB Divert	11
PN 863168 – Assy Plate E-Stop IVB Divert	12
PN 900017_L – Guide Entry Left	13
PN 900017_R – Assy Plate Switch Divert	14
PN 900113 – Assy Roller Bridge	15
Assembly Power Panel – BKR Roller Stand Off	16
48” Divert Output	17
10 x 13 Roller Assy	17
Technical Support	19

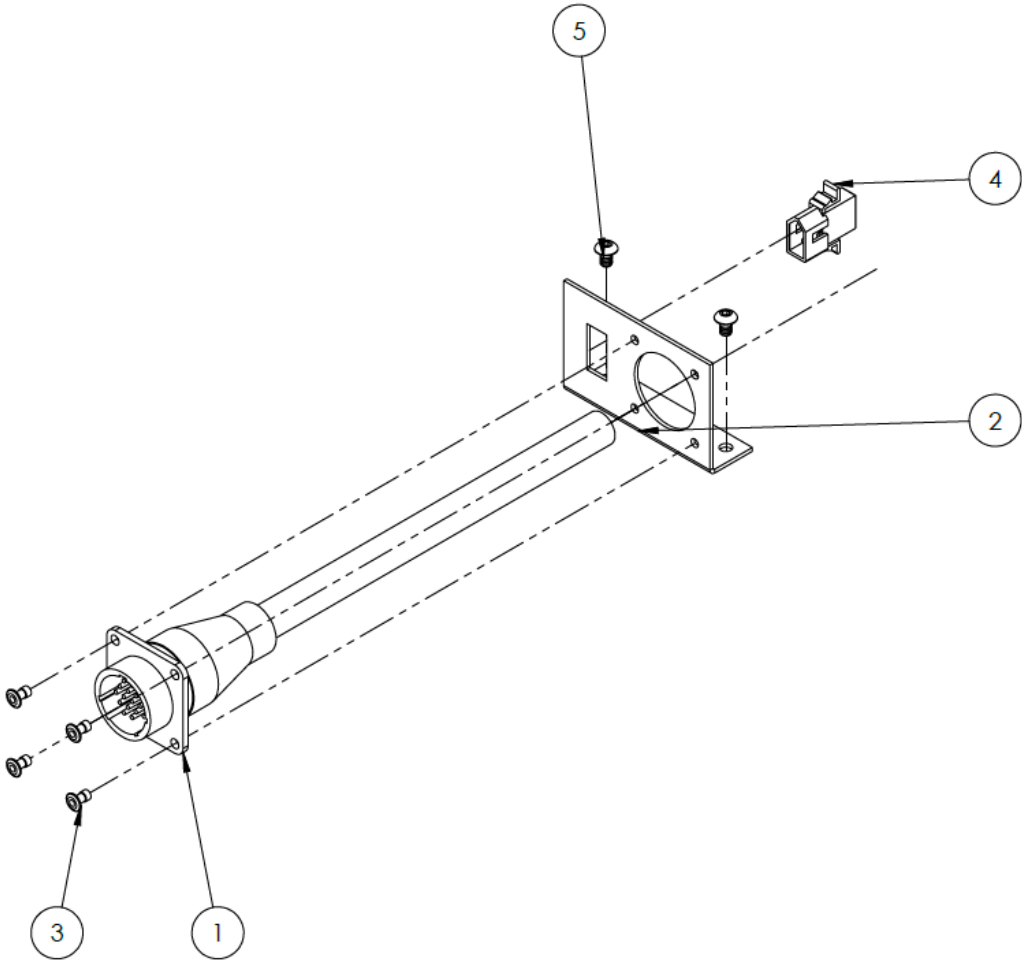
PN 863000 – Inline Vacuum Divert Base 48” L2R

Item No.	Part No.	Description	Qty.	Item No.	Part No.	Description	Qty.
1	863060	CHASSIS FRAM WELDMENT	1	22	855069	RELAY DIVERT ACTUATE 4-32VDC	1
2	863111	TOP ASSEMBLY	1	23	N/A	ASSY 48 DIVERT_VACUUM CHAMBER	1
3	863063	PANEL REAR DIVERT	1	24	300042	PIPE 3/4 PVC THREADED 3-3/4" L	1
4	300013	BRKT ROLLER STAND OFF	1	25	300040	PIPE ELBOW 90 DEGREE 3/4 PVC	1
5	863078	MISC ELECTRONICS	1	26	300046	PIPE 3/4 PVC 2-1/8" L	1
6	863167	ASSY PLATE SWITCH IVB DIVERT	1	27	900047	TUBE PVC CLEAR 1" X 4-5/8" L	1
7	863168	ASSY PLATE E-STOP IVB DIVERT	1	28	855064	CHASSIS DIVIDER PLATE	1
8	857113	ASSY SHAFT BRIDGE	1	29	857095	Bumper, Rubber with Steel Base, 1/4"-20 Thread, 1" OD	6
9	900113	ASSY ROLLER BRIDGE	2	30	9600K225	SBR Rubber Grommet	1
10	300121	T-HANDLE KIT - BASE	1	31	H-0616-ZI	3/8-16 SELF-CLINCHING NUT	2
11	857121	ASSY RLR HOLDDOWN EXT 1-1/2"	2	32	S-832-0ZI	8-32 SELF CLINCHING NUT	6
12	900017_L	GUIDE ENTRY LEFT	1	33	4068	WASHER LOCK 1/4" ZINC"	6
13	900017_R	GUIDE ENTRY, RIGHT	1	34	1231	1/4-20 X 3/8 BHCS BLK	6
14	900017	GUIDE ENTRY ADJ	2	35	1138	8-32 X 3/8 BHCS BL	2
15	863090	BELT TRANSPORT SET 48" DIVERT	1	36	S-632-0ZI	6-32 SELF CLINCHING NUT	2
16	863090_A	PART OF 863090	2	37	1095	6-32 X 5/8 SHC BL	2
17	1174	10-32 X 1/4 BHCS	1	38	SS-032-1ZI	10-32 SELF CLINCHING NUT	2
18	300077	ASSY WIRE HARNESS MALE/FEMALE	1	39	1174	10-32 X 1/4 BHC BL	2
19	1177	10-32 X 5/8 FHCS BLK	1	40	1350	10-32 X 3/8 BHCS	4
20	863075	AC/DC CONVERTER	1				
21	300029	SHAFT ROLLER INPUT FEED	1				



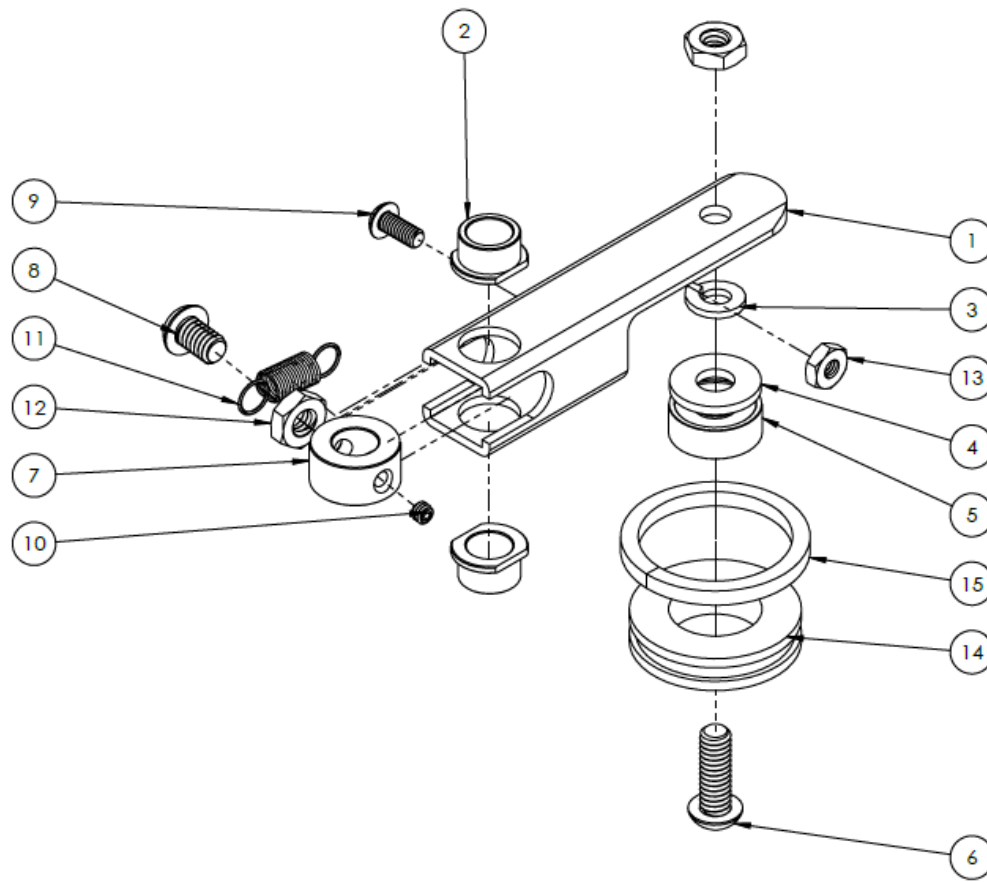
PN 300077 – Assy Wire Harness Male/Female

Item No.	Part No.	Description	Qty.
1	206552	CONNECTOR	1
2	300066	BRACKET WIRE HARNESS PLUG MTG	1
3	RIVET	RIVET	4
4	WM1305	CONN PLUG 2POS .093	1
5	1137	8-32 X 1/4 BHCS BL	2



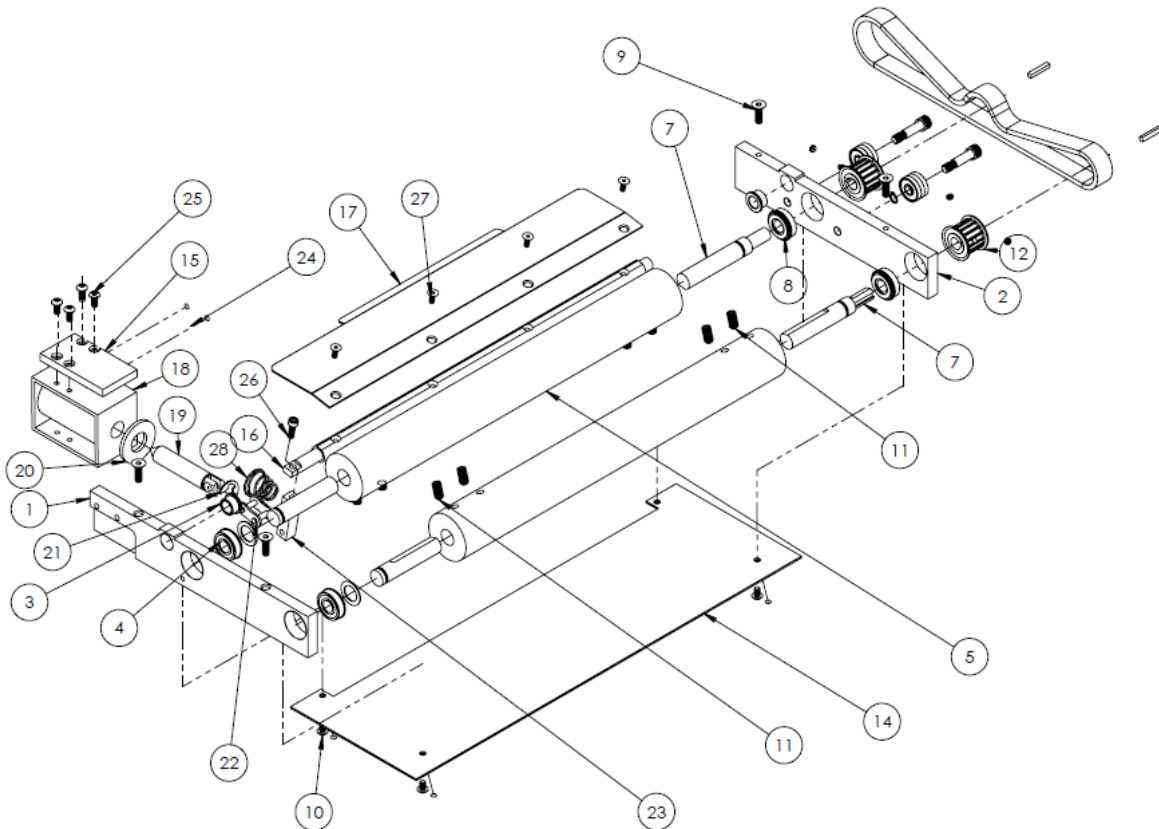
PN 300121 – T-Handle Kit – Base

Item No.	Part No.	Description	Qty.
1	857120	ARM ROLLER INPUT FEED EXT	1
2	300117	BUSHING ARM INPUT FEED RLR	2
3	4068	WASHER LOCK 1/4"	1
4	4066	Chrome-Plated Steel Washer	1
5	8203	BEARING ROLLER R-4 DBL SEAL	1
6	1233	1/4-20 X 3/4 BHCS BLK	1
7	300115	COLLAR INPUT FEED ROLLER	1
8	1231	1/4-20 X 3/8 BHCS BLK	1
9	1138	8-32 X 3/8 BHCS BL	1
10	1325	Alloy Steel Cup-Point Set Screw	1
11	300114	EXTENSION SPRING, 0.286" DIAM., 3/4" CENTER TO CENTER	1
12	4040	1/4-20 JAM NUT Z	2
13	4020	8-32 NUT Z	1
14	300118	ROLLER INPUT FEED	1
15	300119	O-RING SQUARE INPUT FEED RLR	1



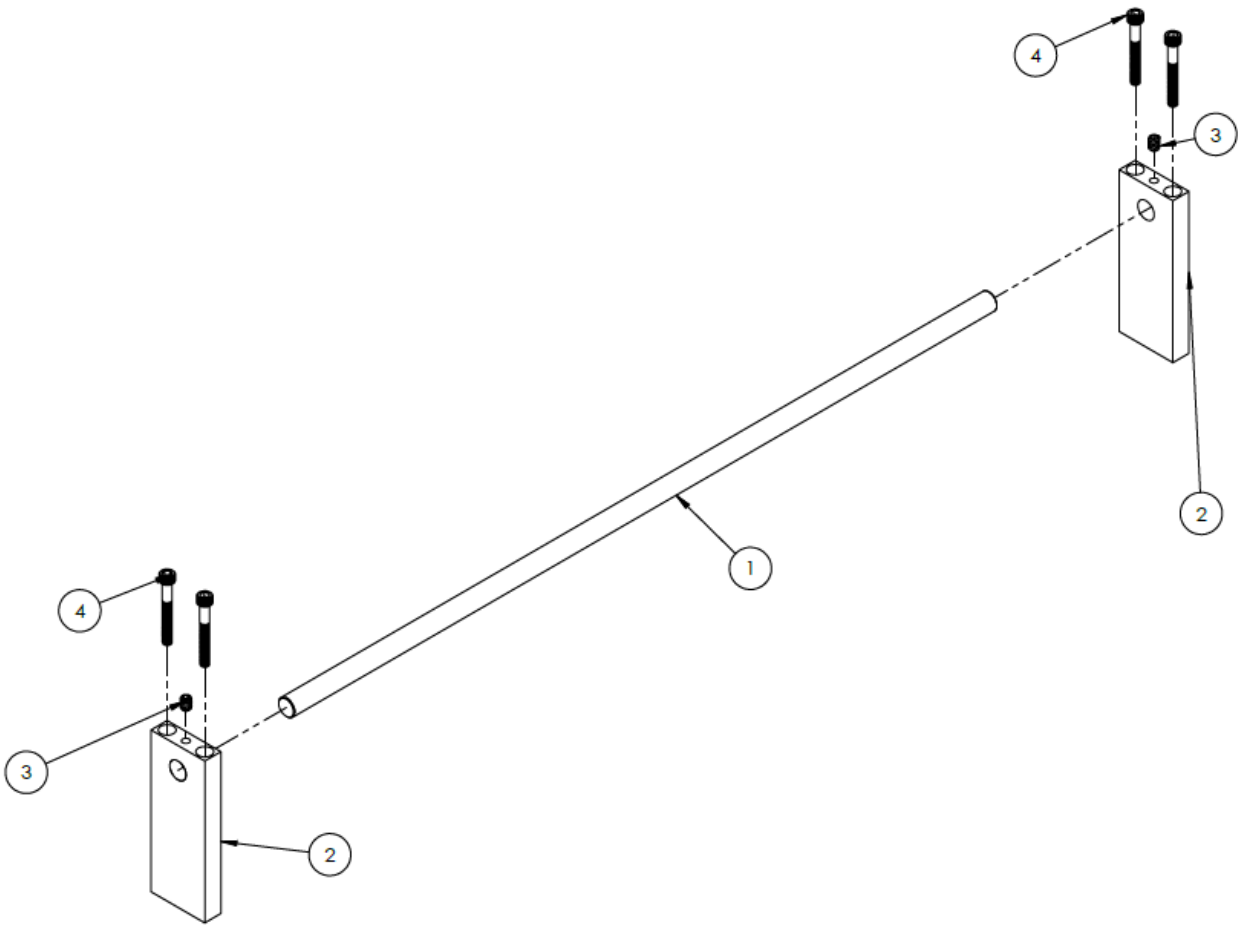
PN 857111 – Divert Roller Assy

Item No.	Part No.	Description	Qty.	Item No.	Part No.	Description	Qty.
1	855004	PLATE OUTPUT RH DRIVE	1	17	855065	PLATE DIVERT	1
2	855003	PLATE OUTPUT LH	1	18	855071	SOLENOID	1
3	8185	BUSHING	2	19	855072	SOLENOID PLUNGER	1
4	8206	BEARING 3/8 X 7/8	4	20	855074	WASHER CUSHION SOLENOID	1
5	855030	SHAFT TRANSPORT DIVERT	2	21	E-Ring	Side-Mount External Retaining Ring, For 1/2 OD	1
6	855028	SHAFT STUB	2	22	855075	LINK CONNECTING	1
7	855029	SHAFT STUB PULLEY	2	23	855033	SHAFT DIVERT ACTUATE	1
8	8022	1/2 x 3/4 x .031 SHIM ROUND	4	24	1157	8-32 X 5/8 SHC BL	2
9	1178	10-24 x 5/8 FSH BL	4	25	1138	8-32 X 3/8 BHCS BL	4
10	1137	8-32 X 1/4 BHCS BL	4	26	1155	8-32 X 1/2 SHC BL	1
11	2030	1/4-28 X 1/4 SOC SET CUP POINT	8	27	1097	6-32 3/8 FHCS BL	4
12	855052	PULLEY TIMING	2	28	855073	SPRING CONICAL SOLENOID RETURN	1
13	N/A	ROLLER TENSIONER	2	29	1168	10-32 X 1/8 SOC SET CUP PT	4
14	855067	COVER DIVERT LOWER	1	30	5006	1/8 X 1/8 X 3/4 SQ KEY	2
15	855009	PLATE SOLENOID MOUNT	1	31	855092	BELT TIMING HTD	1
16	855031	SHAFT DIVERT PLATE	1				



PN 857113 – Assy Shaft Bridge

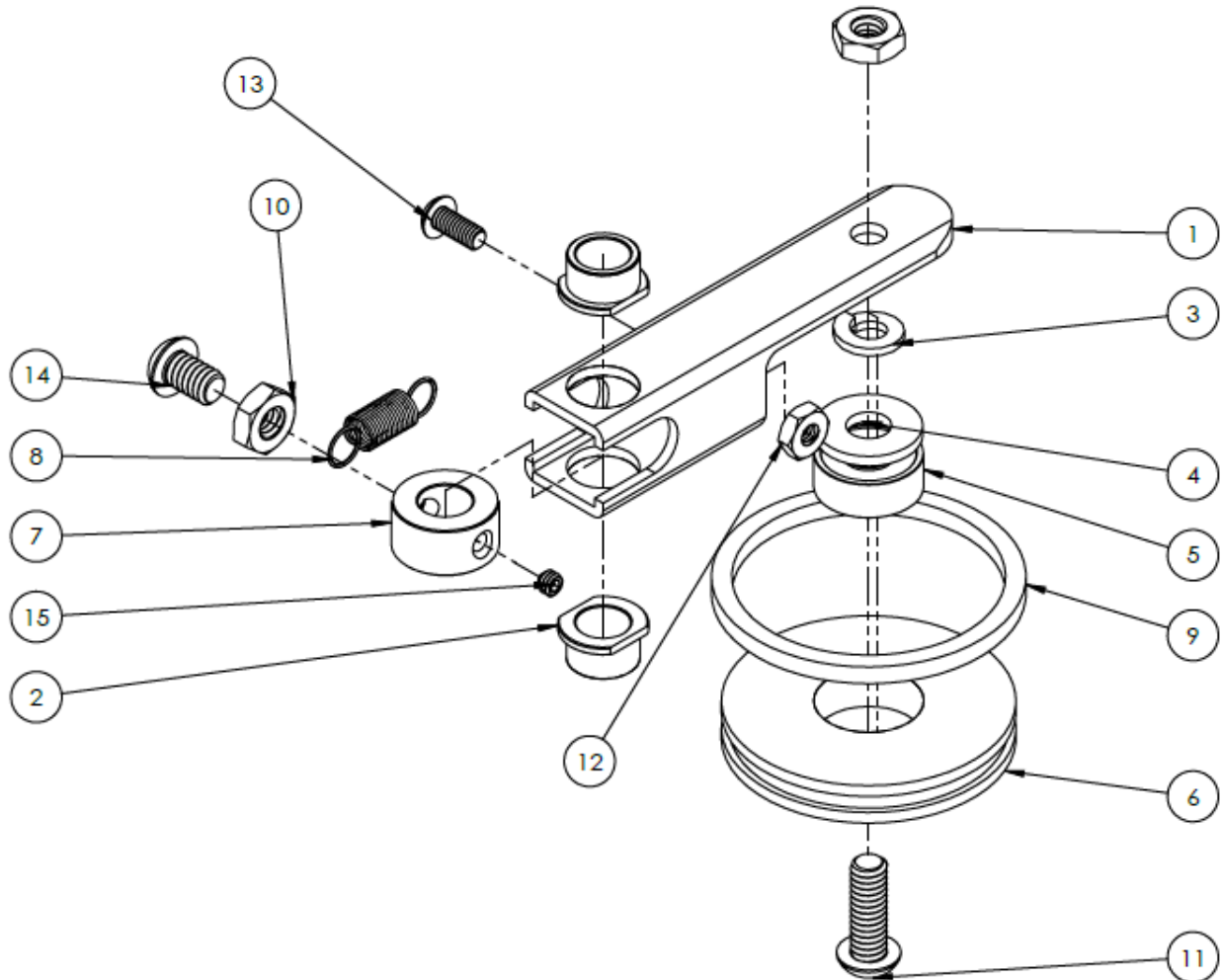
Item No.	Part No.	Description	Qty.
1	857029	SHAFT ROLLER INPUT FEED	1
2	855013	BRACKET ROLLER STANDOFF	2
3	1224	10-24 X 1/4 SOC SET CUP PT BLK	2
4	1165	8-32 X 1 1/4 SHC BL	4



PN 857121 – Assy RLR Hold Down Ext 1-1/2"

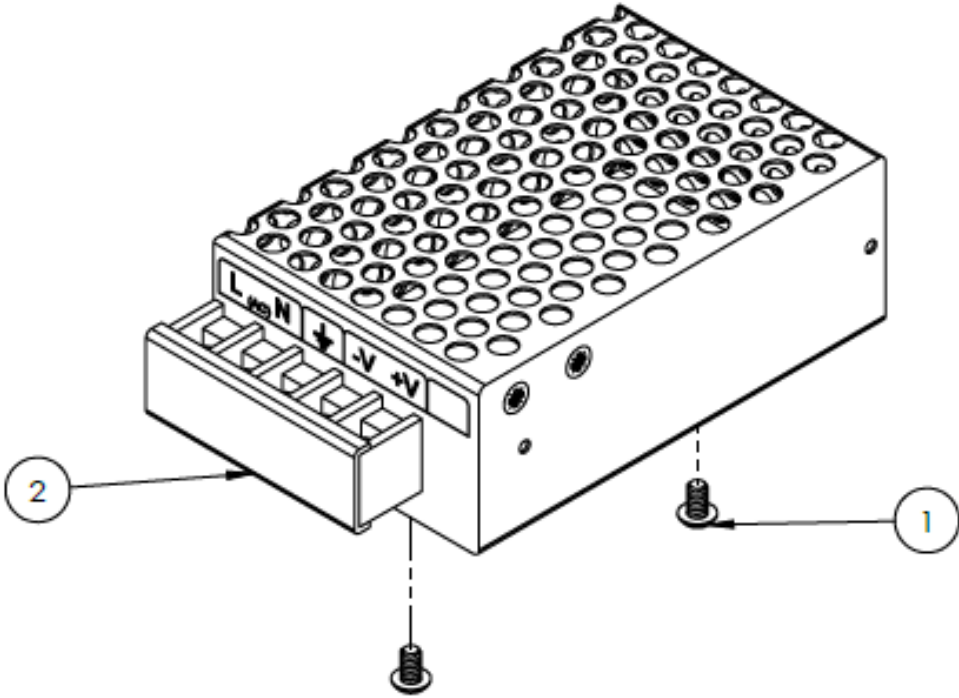
Item No.	Part No.	Description	Qty.
1	857120	ARM ROLLER INPUT FEED EXT	1
2	300117	BUSHING ARM INPUT FEED RLR	2
3	4068	WASHER LOCK 1/4	1
4	4066	Chrome-Plated Steel Washer	1
5	8203	BEARING ROLLER R-4 DBL SEAL	1
6	857118	ROLLER INPUT FEED ES&S	1
7	300115	COLLAR INPUT FEED ROLLER	1
8	300114	EXTENSION SPRING, 0.286" DIAM., 3/4" CENTER TO CENTER	1

Item No.	Part No.	Description	Qty.
9	857119	Square-Profile O-Ring, 1/8 Width	1
10	4040	1/4-20 JAM NUT Z	2
11	1233	1/4-20 X 3/4 BHCS BLK	1
12	4020	8-32 NUT Z	1
13	1138	8-32 X 3/8 BHCS BL	1
14	1231	1/4-20 X 3/8 BHCS BLK	1
15	1325	Alloy Steel Cup-Point Set Screw	1



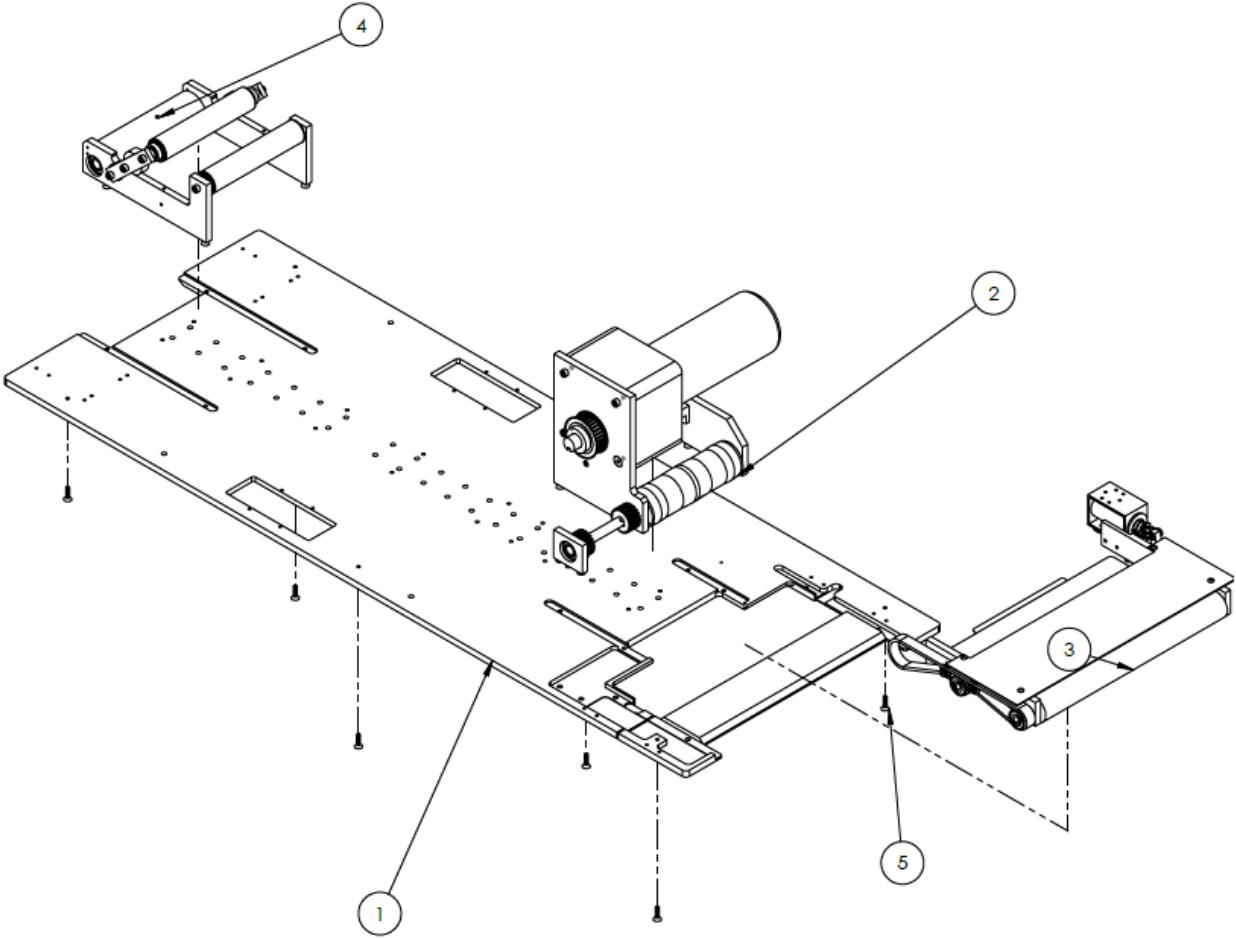
PN 863075 – Power Supply 24VDC 25W

Item No.	Part No.	Description	Qty.
1	1020	4-40 X 3/16 BHCS BLK	2
2	860375	AC/DC CONVERTER	1



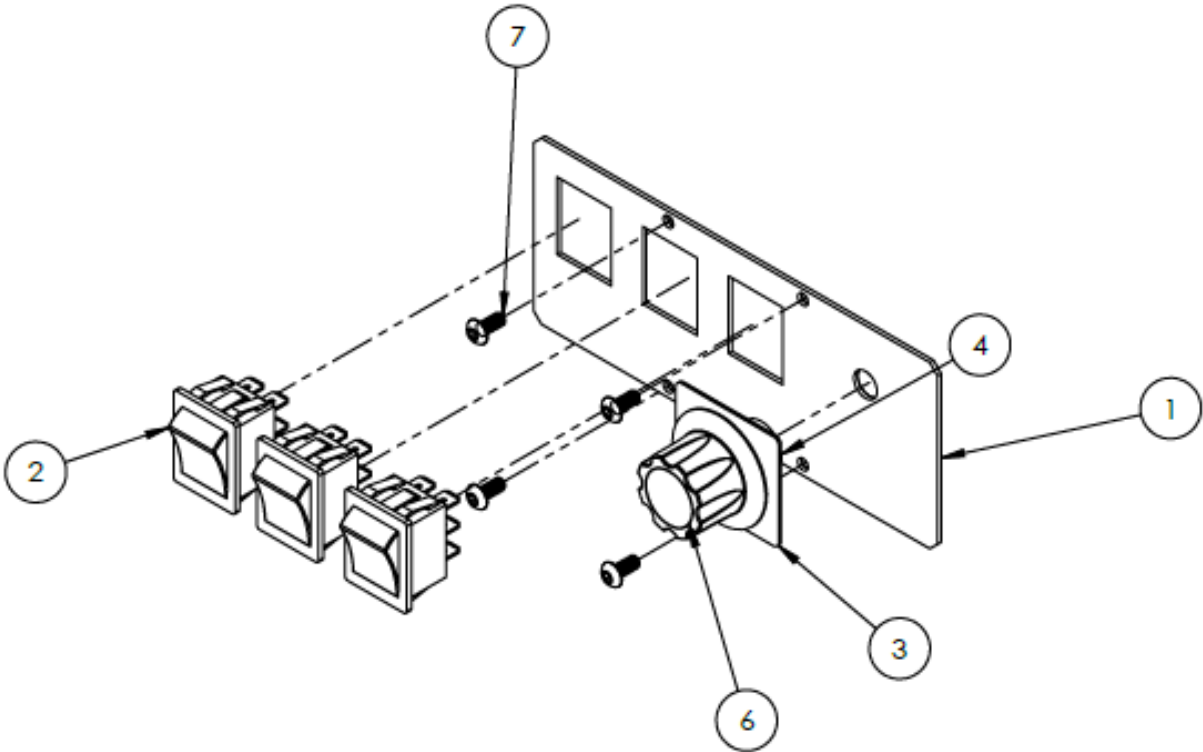
PN 863111 – Top Assembly

Item No.	Part No.	Description	Qty.
1	863001	PLATE TOP DIVERT 48"	1
2	N/A	48 Divert Output	1
3	857111	Divert Roller Assy	1
4	N/A	10x13 ROLLER ASSY	1
5	1361	10-32 X 3/4 FHCS BLK	6



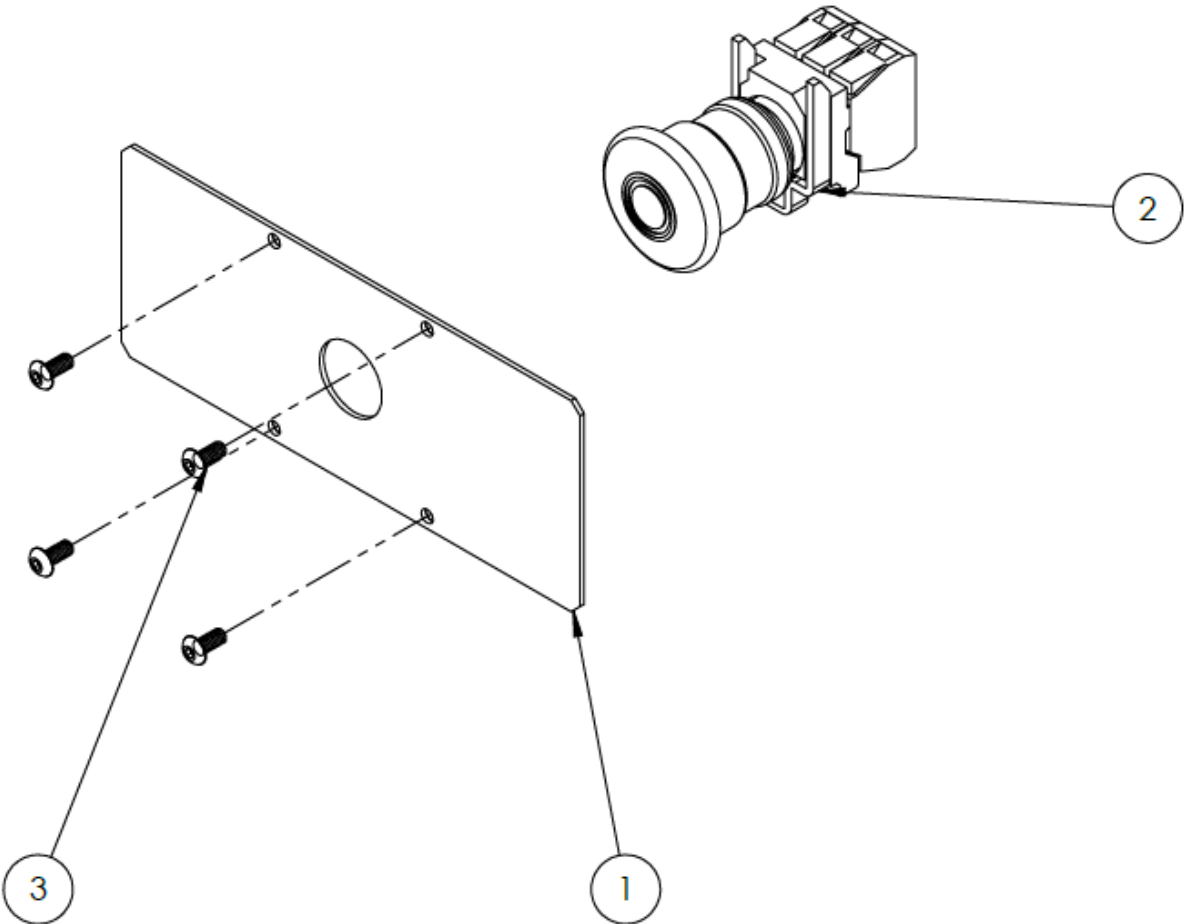
PN 863167 – Assy Plate Switch IVB Divert

Item No.	Part No.	Description	Qty.
1	300067	PLATE SWITCH	1
2	100516	SWITCH ROCKER DPDT ON/ON BLK	3
3	100528	REOSTAT VARIABLE	1
4	100528_A	REOSTAT VARIABLE	1
5	100525	KIT FACE PLATE & KNOB	1
6	100525_A	KIT FACE PLATE & KNOB	1
7	1138	8-32 X 3/8 BHCS BL	4



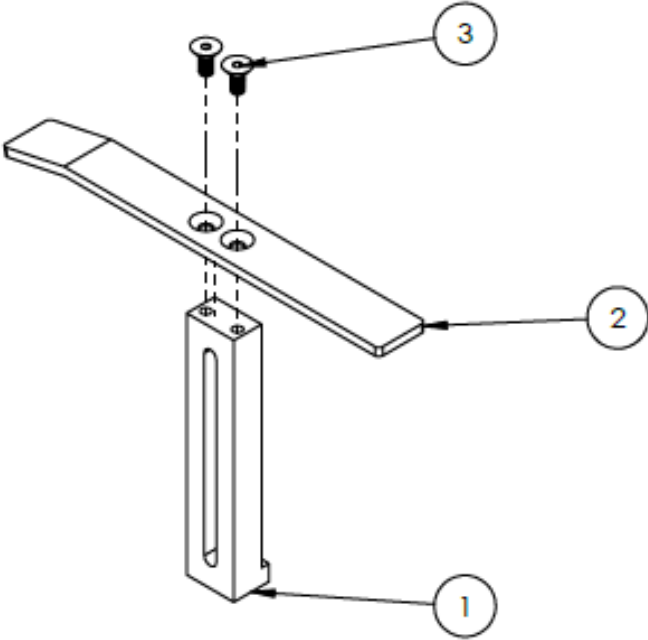
PN 863168 – Assy Plate E-Stop IVB Divert

Item No.	Part No.	Description	Qty.
1	300067	PLATE SWITCH	1
2	863074	Emergency stop push-button	1
3	1138	8-32 X 3/8 BHCS BL	4



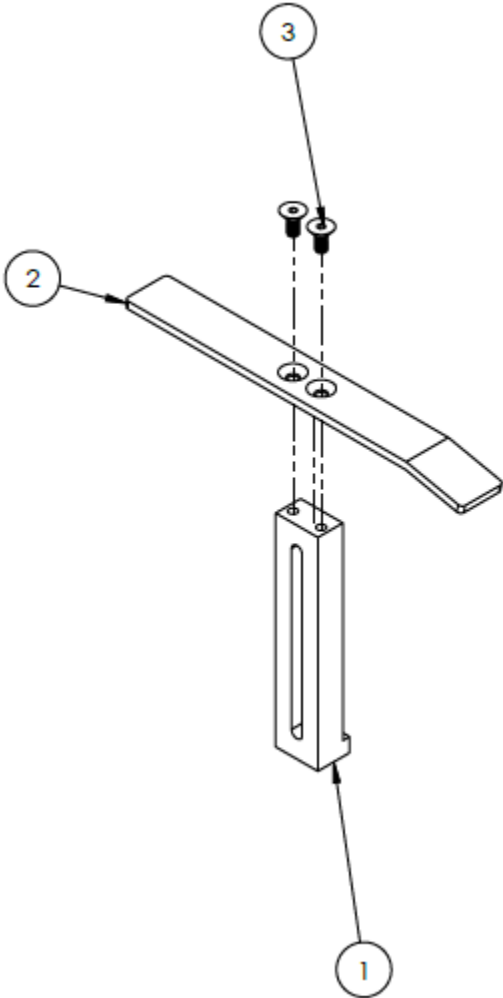
PN 900017_L – Guide Entry Left

Item No.	Part No.	Description	Qty.
1	900015	BRACKET SIDE GUIDE ADJ 10X13	1
2	900017	GUIDE ENTRY ADJUST 10X13	1
3	1115	8-32 x 3/8 FSH BL	2



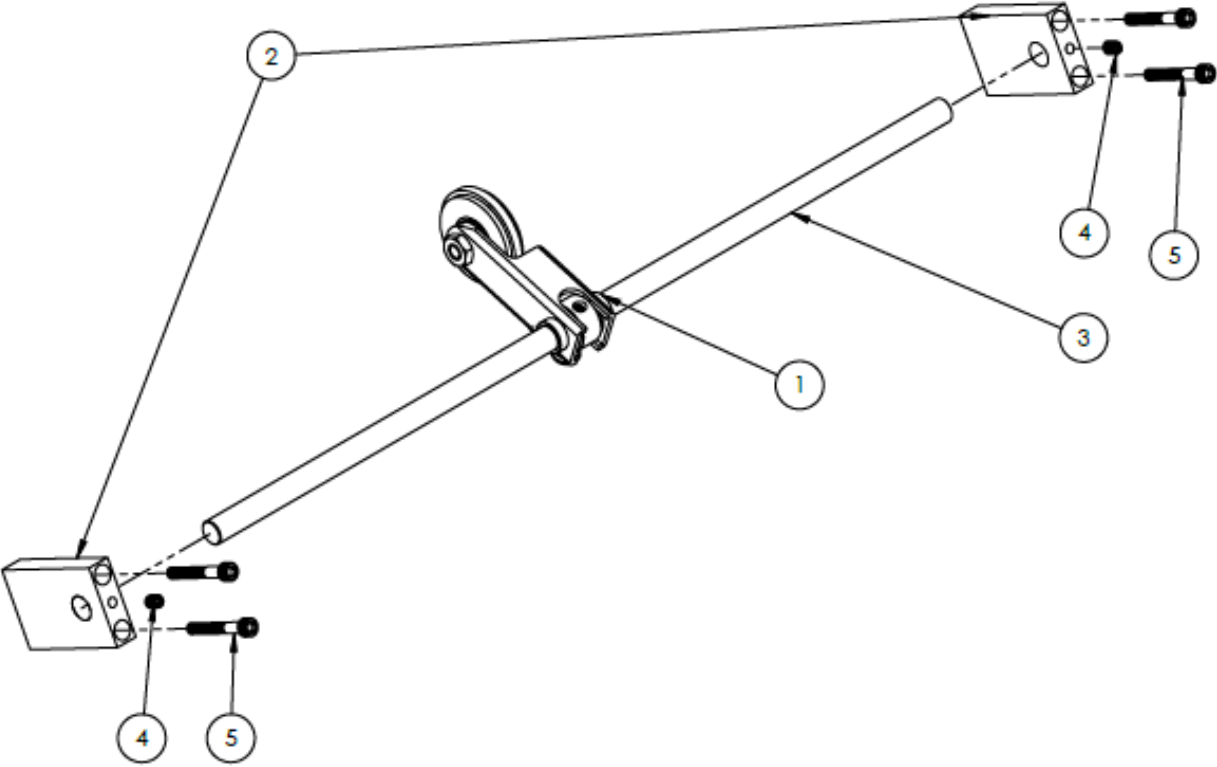
PN 900017_R – Assy Plate Switch Divert

Item No.	Part No.	Description	Qty.
1	900015	BRACKET SIDE GUIDE ADJ 10X13	1
2	900017	GUIDE ENTRY ADJUST 10X13	1
3	1115	8-32 x 3/8 FSH BL	2



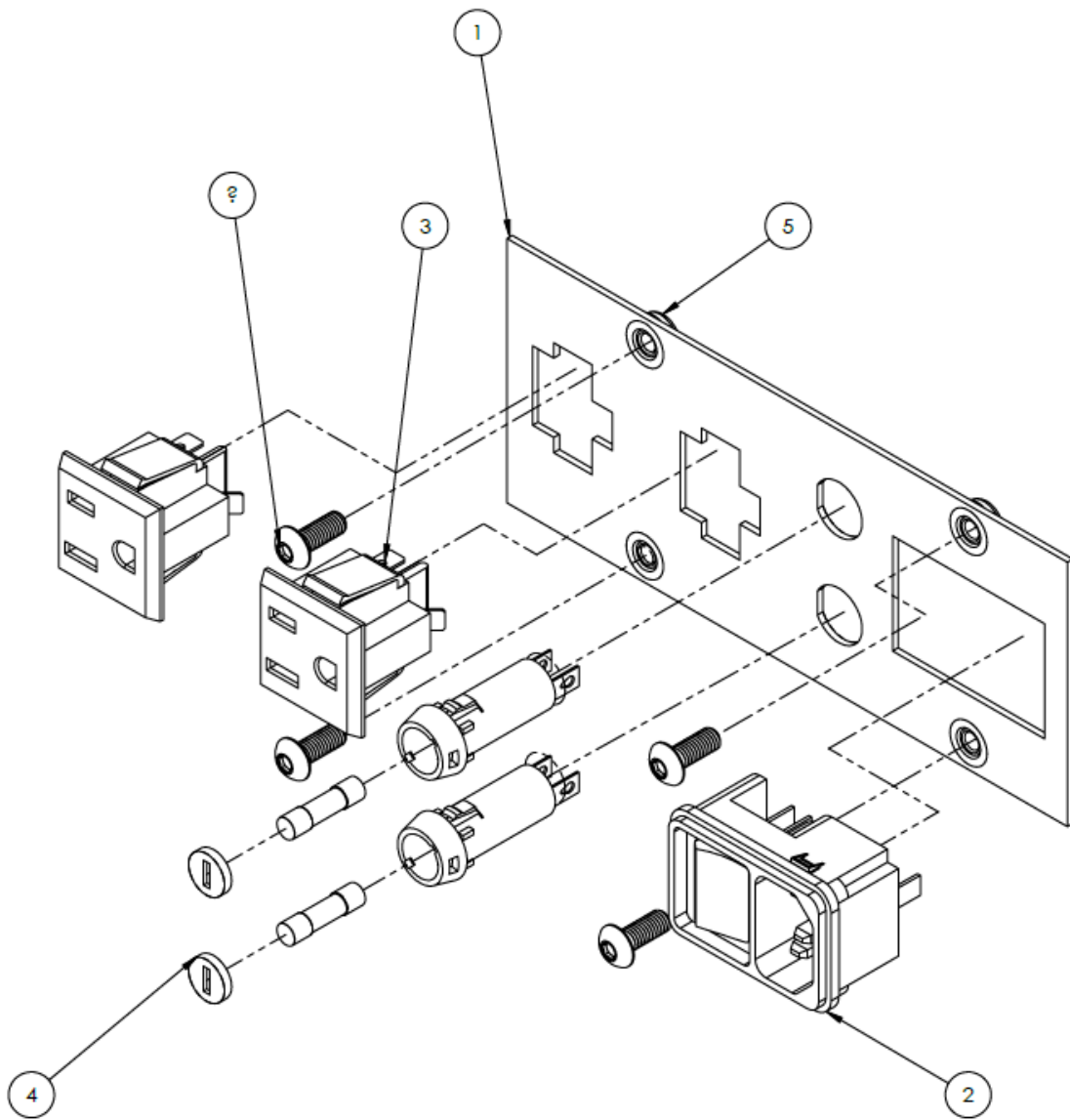
PN 900113 – Assy Roller Bridge

Item No.	Part No.	Description	Qty.
1	300113	ASSY ROLLER INPUT FEED	1
2	1165	8-32 X 1-1/4 SHCS BLK	2
3	900029	SHAFT ROLLER INPUT FEED	1
4	1224	10-24 X 1/4 SOC SET CUP PT BLK	2
5	1165	8-32 X 1 1/4 SHC BL	4



Assembly Power Panel – BKR Roller Stand Off

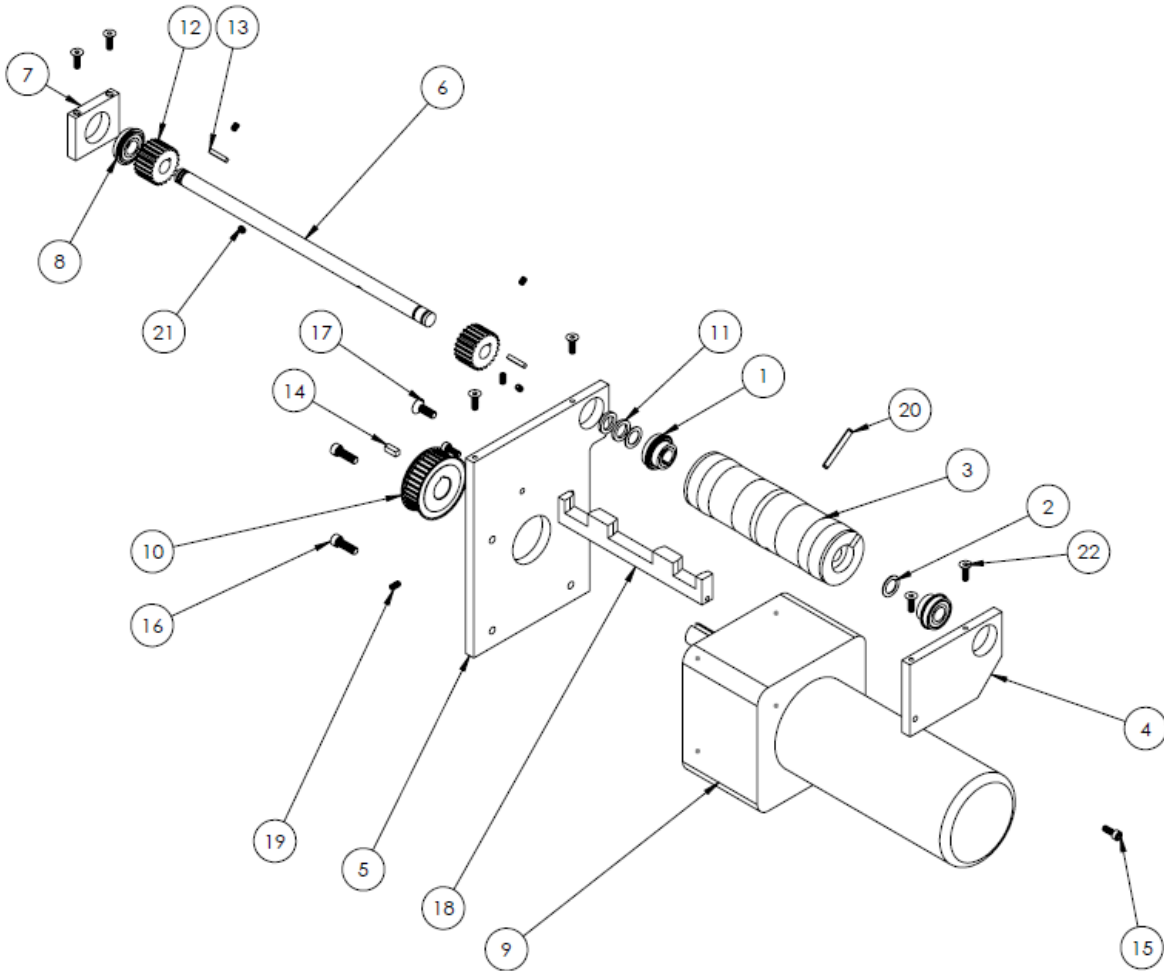
Item No.	Part No.	Description	Qty.
1	300064	PANEL RECEPTACLE	1
2	300080	INLET AC W/SWITCH	1
3	300083	OUTLET POWER AC	2
4	300081	HOLDER FUSE PANEL MOUNT	2
5	AS-032-1ZI	10-32 SELF CLINCHING NUT	4
6	1175	10-32 X 1/2 BHCS BLK	4



48" Divert Output

Item No.	Part No.	Description	Qty.
1	8225	BRG SEALED 1/2 X 1-1/8 W/ COLLAR	2
2	8022	1/2 x 3/4 x .031 SHIM ROUND	2
3	900022	ROLLER BELT DR CROWNED 10X13	1
4	944003	PLATE OUTPUT LH	1
5	944004	PLATE MOTOR MOUNT	1
6	855032	SHAFT, ROLLER DRIVEN, DIVERT	1
7	855005	PLATE, OUTBOARD BEARING	1
8	8224	BEARING SEALED 1/2 X 1-1/8 RNG	1
9	944070	MOTOR	1
10	944052	PULLEY	1
11	8023	1/2 X 3/4 X .093 SHIM ROUND	2
12	300054	PULLEY TIMING 22HTD MACHINED	2

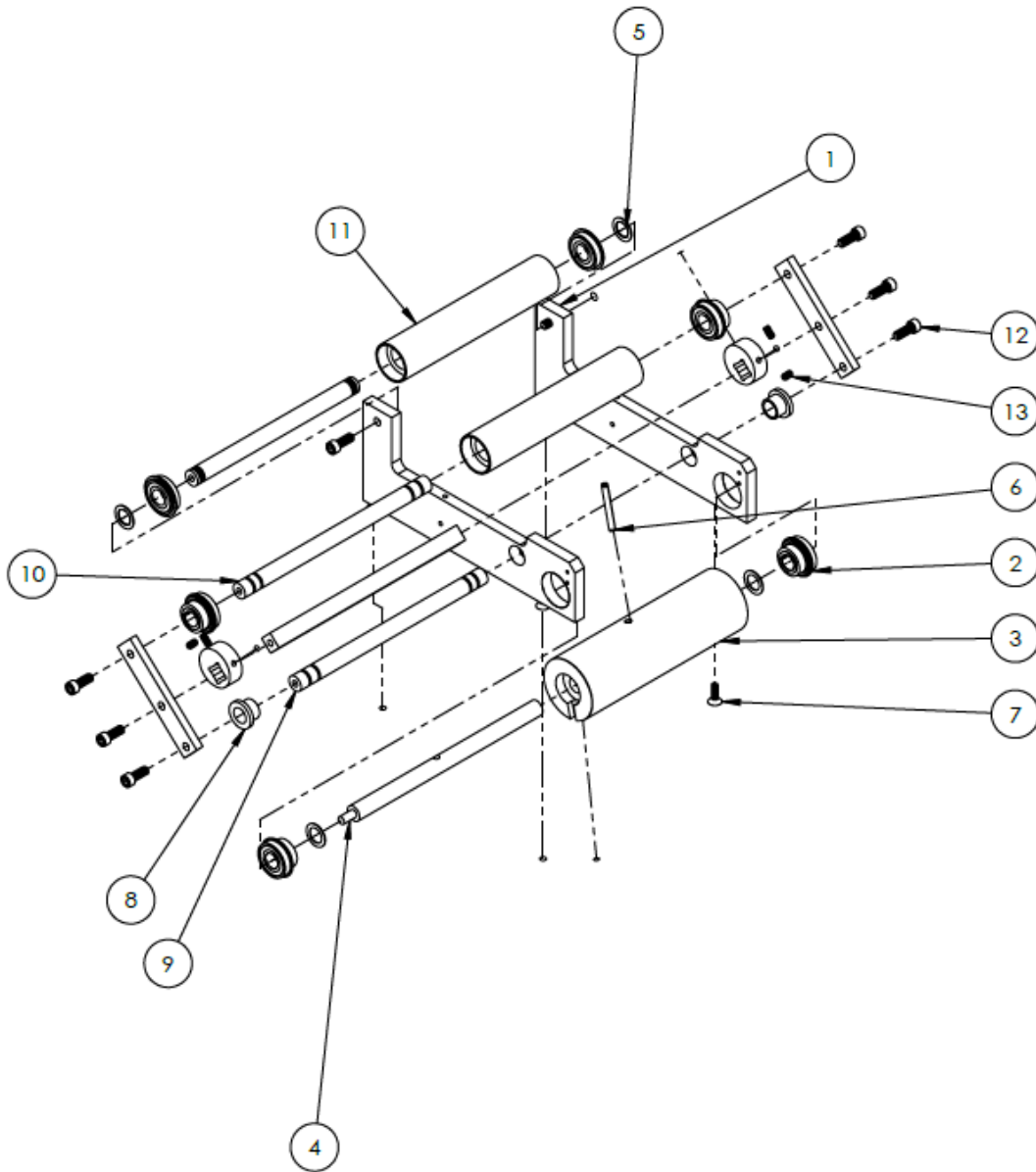
Item No.	Part No.	Description	Qty.
13	5006	Square KEY	2
14	5010	Machine Key, 3/16" x 3/16", 1/2"	1
15	1190	Steel Socket Head Screw, 10-24 Thread Size, 1/2" Long	2
16	1246	1/4-28 X 3/4 SHC BLK	3
17	1237	1/4-28 X 3/4 FSH BLK	1
18	900014	BRACKET BELT GUIDE 10X13	1
19	1171	10-32 X 3/8 SOC SET CUP PT	2
20	5040	SPS 0.1875x1.5	1
21	1224	10-24 X 1/4 SOC SET CUP PT BLK	4
22	1178	10-24 x 5/8 FSH BL	6



10 x 13 Roller Assy

Item No.	Part No.	Description	Qty.
1	300007	PLATE INPUT LH/RH	2
2	8225	BRG SEALED 1/2 X 1-1/8 W/ COLLAR	2
3	900020	ROLLER BELT DR FLAT 10X13	1
4	900038	SHAFT AIR DR ENCODER 10X13	1
5	8022	1/2 x 3/4 x .031 SHIM ROUND	4
6	5040	SPS 0.1875x1.5	1
7	1178	10-24 x 5/8 FSH BL	4

Item No.	Part No.	Description	Qty.
8	8088	BUSHING FLANGED	2
9	900036	SHAFT PVT/RLR IDLER 10X13	1
10	N/A	10X13 Tensioner Assy	1
11	N/A	10X13 IDLER ROLLER ASSY	1
12	1240	1/4-20 X 5/8 SHC BL	8
13	1171	10-32 X 3/8 SOC SET CUP PT	4



Technical Support

Postmatic is known for their excellent level of customer service and support within the industry. We provide both remote and onsite support for all Postmatic and Non-Postmatic equipment nationwide.

- Please reference our [YouTube Channel](#) for Instructional Videos
 - https://www.youtube.com/channel/UCJ4lQGc7Xq-K_9n6GhOOmxA/playlists
- View [Equipment Parts Manuals](#)
 - <https://postmatic.net/equipment-parts-manuals/>

If you are an end user and need technical support, please contact your dealer!

All dealers and those who don't have a dealer may contact Postmatic for technical support.

Thank you,

Postmatic

Website: www.postmatic.net

Email: info@postmatic.net

Phone: 763-784-6046

Address: 9405 Holly Street NW – Ste D | Minneapolis, MN 55433